

# Vortex<sup>®</sup>



Big time, fun slide!

- 10'7" in height (7'6" to seat)
- 19' corkscrew runway
- Accommodates sliders up to 325 lbs/147kg
- Sturdy rotomolded construction for strength and durability
- Enclosed ladder and molded handrail design for maximum safety
- Designed for quick and easy assembly
- 30 gpm water delivery system can be plumbed through the pool's return line or connected to a garden hose
- Simple deck mounted installation – no anchors required
- Intended for use on in-ground swimming pools only

Model No.	Description	Shipping (2 pallets)			
		Weight	Length	Width	Height
695-209-13	Open flume with ladder, Blue	1350 lbs	57"	128"	72"
695-209-124	Open flume with ladder, Gray Granite				
695-209-23	Closed flume with ladder, Blue	1500 lbs	57"	128"	72"
695-209-224	Closed flume with ladder, Gray Granite				
695-209-33	Open flume with staircase, Blue	1710 lbs	39"	150"	48"
695-209-324	Open flume with staircase, Gray Granite				
695-209-43	Closed flume with staircase, Blue	1860 lbs	39"	150"	48"
695-209-424	Closed flume with staircase, Gray Granite				

## Slide Color



BLUE



GRAY GRANITE\*

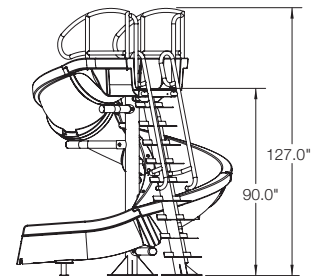
Due to printing technology, actual color may differ.

\* Gray Granite slides are not an exact match with Gray Granite diving boards & stands due to differences in material. Please consult your sales representative for more details.

Adult supervision required at all times when children are using this slide.

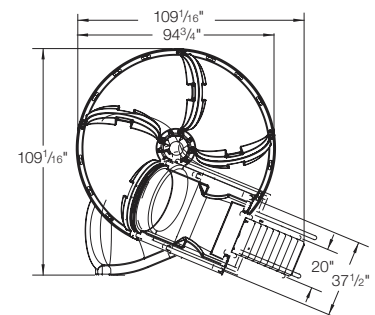
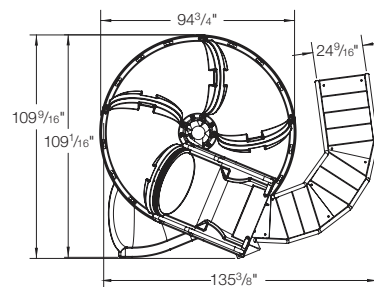
## Parts & Accessories

- I4-400 Warning Sign

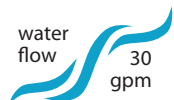
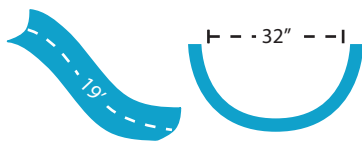


Vortex with Ladder

Vortex with Staircase



## Flume Details



All S.R. Smith, LLC swimming pool slides fully comply with Consumer Products Safety Commission (CPSC) mandatory safety Standard for Swimming Pool Slides (16 CFR 1207) and are certified by independent third party testing labs. The installer or end-user is responsible for complying with local building codes for the location, installation, construction or assembly of these slides. S.R. Smith, LLC makes no representations that the location, installation, construction or assembly of its slides meet local building codes.